

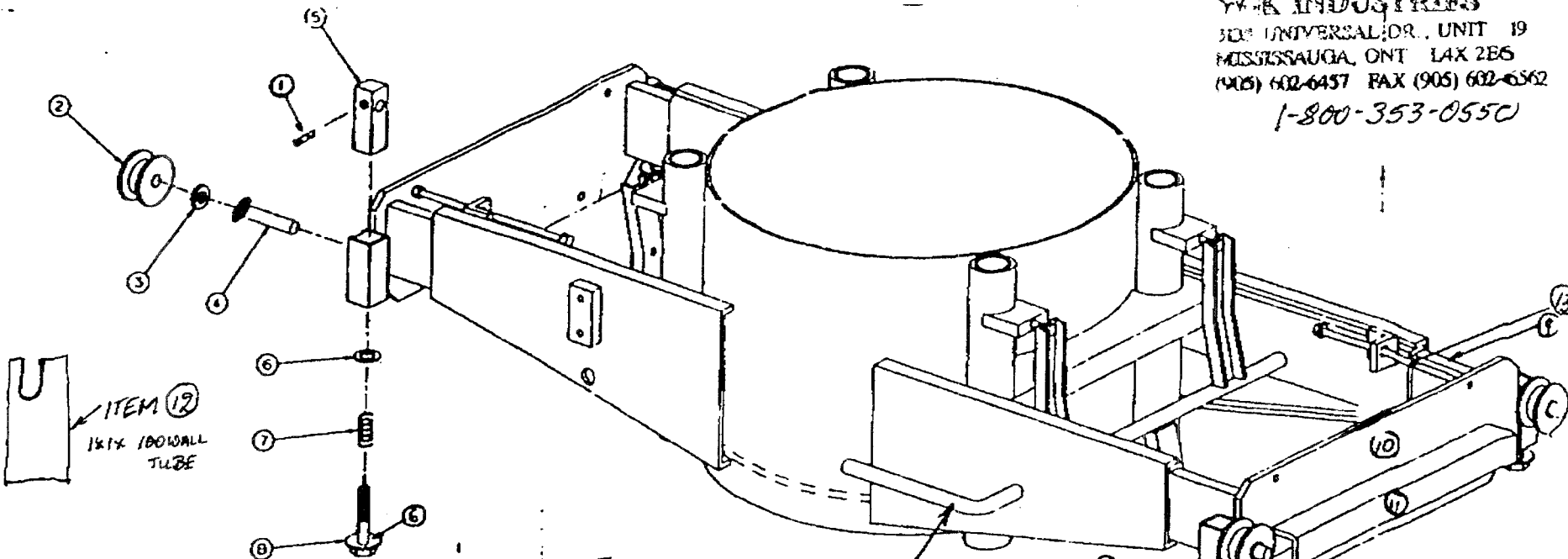
5		ELBOW	1
3		AIR BAG	1
	85559		1
	85560		1
	85561		1
1	291006-501	ACTUATOR VALVE	1
ITEM	PART NO.	DESCRIPTION	QTY.

ITEM 1-A  $\frac{1}{4}$ " RUG SW  $\frac{1}{8}$ " HOLE  
 " 1-B  $\frac{1}{4}$ " ELBOW 90°  
 " 1-C  $\frac{1}{4}$ " " 45°

**W-K INDUSTRIES**  
 3135 UNIVERSAL DR., UNIT 19  
 MISSISSAUGA, ONT L4X 2E6  
 (905) 602-6457 FAX (905) 602-6552

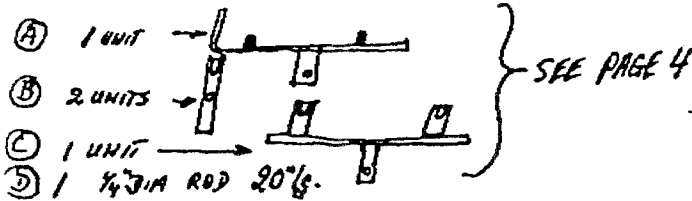
**PAGE 1**

W-K INDUSTRIES  
 300 UNIVERSAL DR., UNIT 19  
 MISSISSAUGA, ONT L4X 2B6  
 (905) 602-6457 FAX (905) 602-6562  
 1-800-353-0550



**NOTE I**  
 TIGHTEN ITEM 8 ( $\frac{3}{16}$  HEX HEAD BOLT)  
 TO COMPRESS ITEM 7 (SPRING)  
 TO  $\frac{3}{4}$ " BETWEEN ITEM 6 (WASHERS)

**NOTE II**  
 SAFETY ASSY CONSISTS OF:



SEE NOTE II

ITEM	PART NO.	DESCRIPTION	QTY.
14	SAFETY ASSY.	SAFETY RELEASE HANDLE (B)	
13		$\frac{1}{4}$ HEX. H) BOLT 6" LG.	2
12	190004-114	1x1x 100 WALL TUBE 2 1/2" x 3/4" SLING	4
11	190006-132	$\frac{1}{2}$ " R. F. RIMMED $\square$ 7 1/2" x 11 1/4"	2
10	190004-107	$\frac{1}{4}$ " R. PROFUS CUT 4 1/2" x 13 7/8"	2
9		$\frac{1}{2}$ x 2 1/2" x 11 3/4" HR FLAT	4
8		7/16 HEX. HEAD BOLT	4
7	C0576-18A	SPRING	4
6		7/16 FLAT WASHER	8
5	190004-115	SUSPENSION BLOCK	4
4	190004-115	AXLE CLEVIS PIN	4
3		FLAT WASHER SAE 7/16	4
2	190006-123	WHEEL $\frac{9}{16}$ " BEARING	4
1		ROLL PIN 1/8 x 3/4	4
ITEM	PART NO.	DESCRIPTION	QTY.

ITEMS 9 THRU 12 (WELDED UNIT)

ITEMS 1 THRU 5  
 SOLD AS ONE UNIT

W-K-6 WHEEL ASSY. SET ONLY PER SET

**PAGE 2**

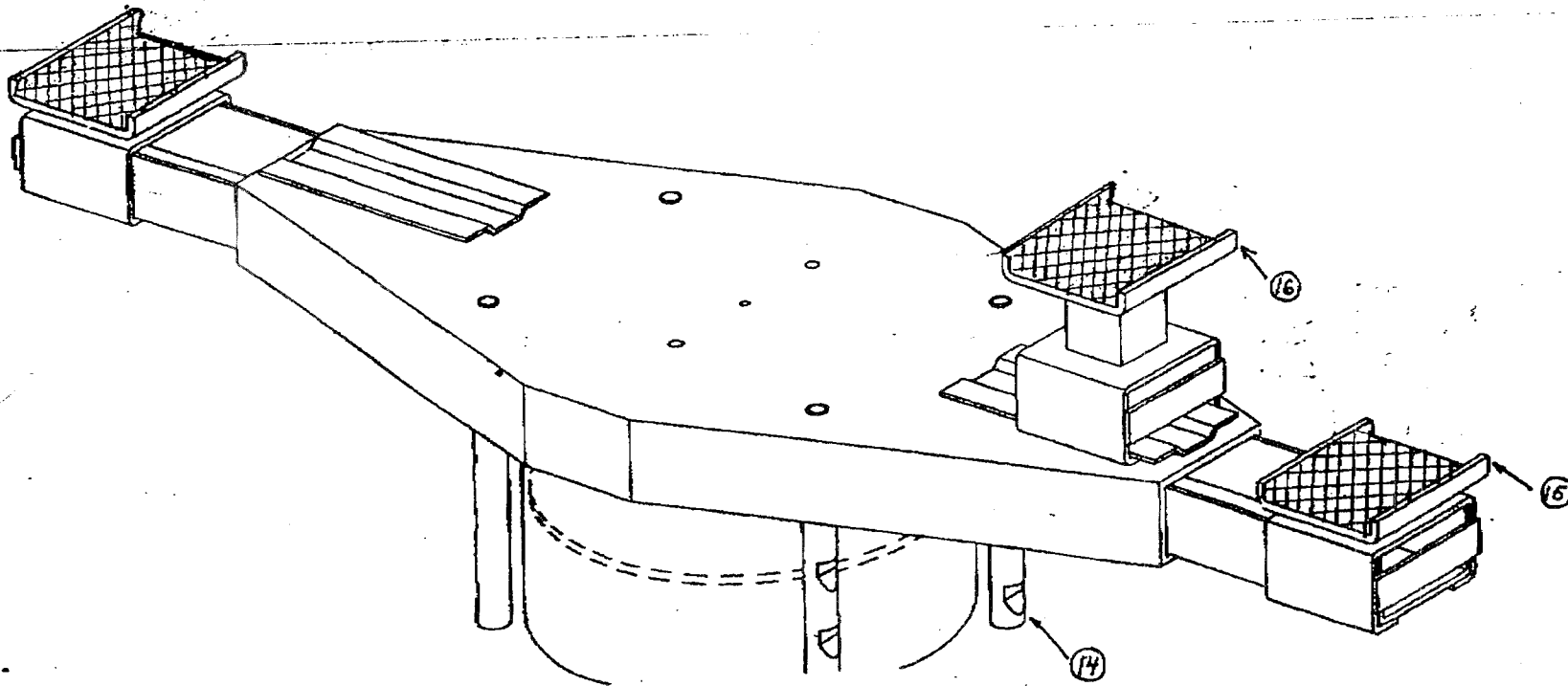
FEB-21-'02 15:58 ID:W-K INDUSTRIES TEL NO: 905-602-6562 #350 P03

**W-K INDUSTRIES**

8335 UNIVERSAL DR., UNIT 19  
MISSISSAUGA, ONT. L4X 2E6  
(905) 602-6457 FAX (905) 602-6562

ITEM	PART NO.	DESCRIPTION	QTY.
16		LONG ADAPTOR	2
15		SHORT ADAPTOR	2
14		SHAFT (SEE PAGE 4)	4

W-K-6-9-W-K-12



PAGE 3

# W-K-18-25-35 ROLLERS

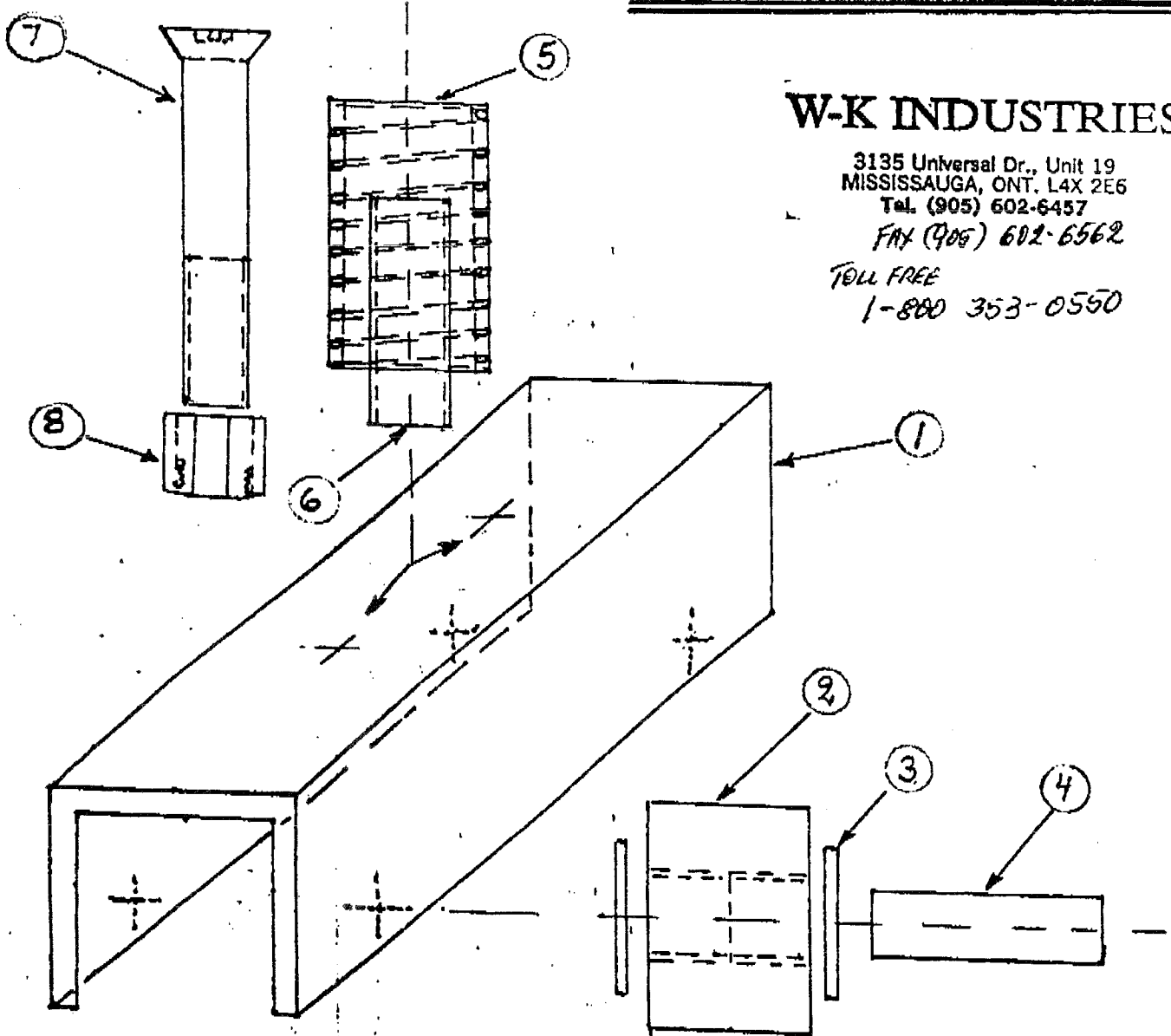
## W-K INDUSTRIES

3135 Universal Dr., Unit 19  
MISSISSAUGA, ONT. L4X 2E6  
Tel. (905) 602-6457

FAX (905) 602-6562

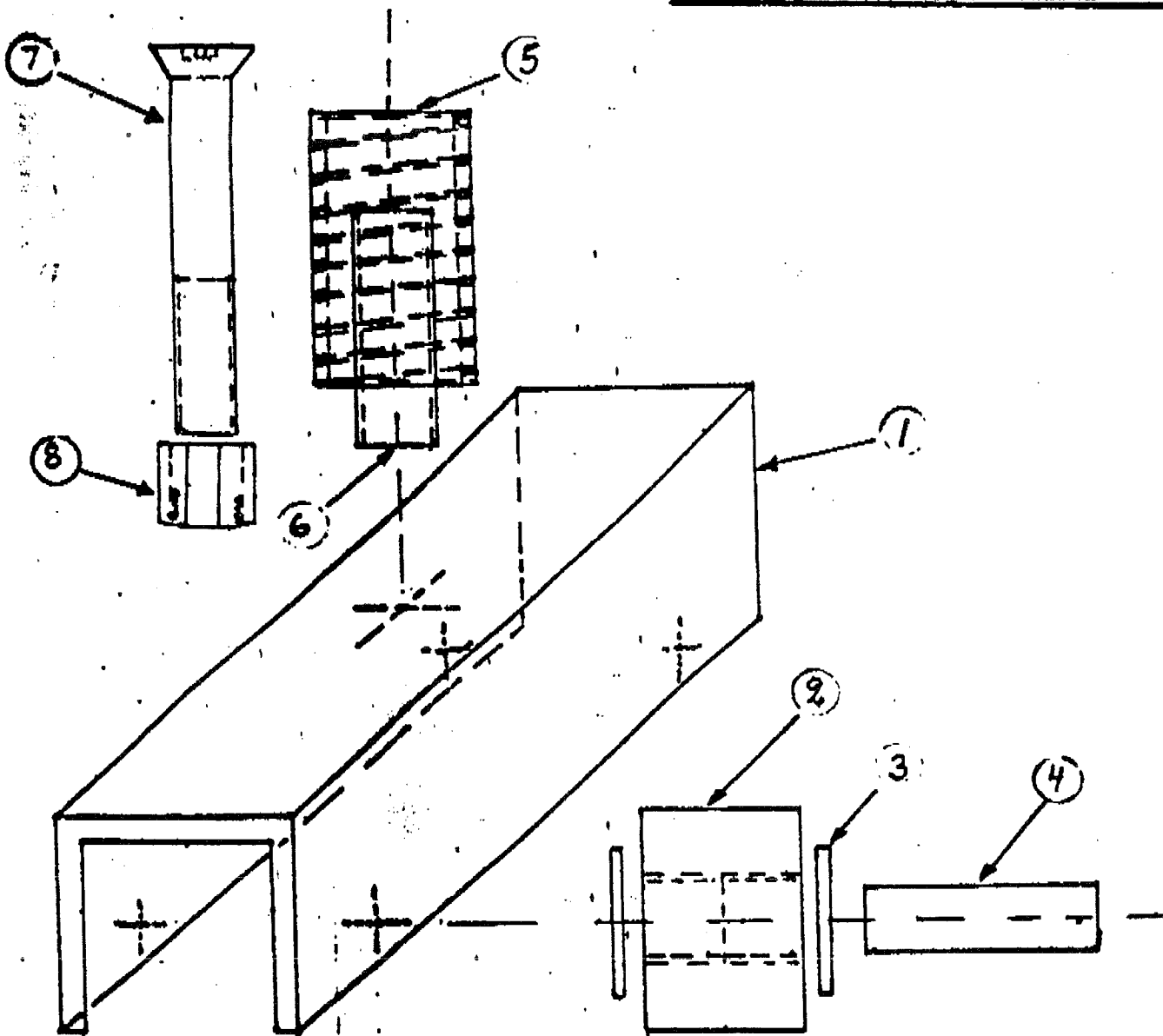
TOLL FREE

1-800 353-0550



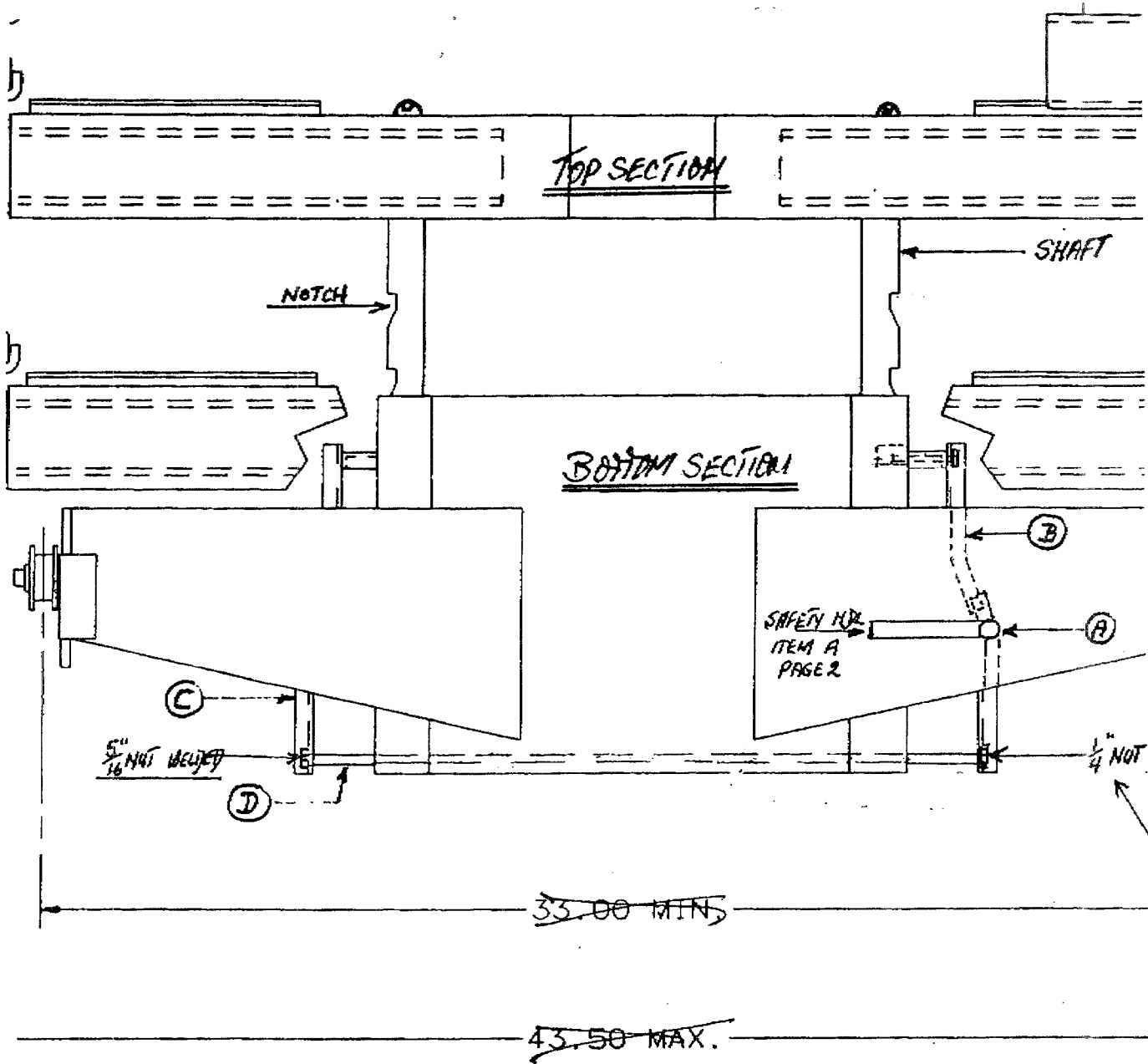
REQ <sup>d</sup> PER JACK	REQ <sup>d</sup> PER ASSY	PARTS LIST	
4	1	ITEM 1	FAB. BRACKET
8	2	2	1 1/2" DIA ROLLER 9/16" 2 BEARINGS
16	4	3	3/8" FLAT WASHER
8	2	4	7/16" DIA COLD ROLLED BAR 1 1/2" Lg.
8	2	5	1" DIE SPRING 1 3/4" Lg. (BLUE)
8	2	6	1/2" DIA TUBE #1860. 1 1/2" Lg.
8	2	7	3/8" x 2 1/2" Lg. FLATHEAD BOLT
8	2	8	3/8" LOCK NUT

# W-K-12 ROLLER ASSY.



REQ <sup>d</sup> PER ASSY	REQ <sup>d</sup> PER JACK
1	4
2	8
4	16
2	8
1	4
1	4
1	4
1	4

PARTS LIST	
ITEM 1	FAB. BRACKET
2	1 1/2" DIA ROLLER 9/16" 2 BEARINGS
3	3/8" FLAT WASHER 2 REQ <sup>d</sup>
4	7/16" DIA COLD ROLLED BAR 1 1/2" Lg.
5	1" DIE SPRING 1 3/4" (BLUE)
6	1/2" DIA TUBE #1860. 1 1/2" Lg.
7	3/8" x 2 1/2" Lg. FLATHEAD BOLT
8	3/8" LOCK NUT



**PAGE 4**

**W-K INDUSTRIES**  
 1335 UNIVERSAL DR., UNIT 19  
 MISSISSAUGA, ONT. L4X 2E6  
 (905) 602-6457 FAX (905) 602-6562  
 1-800 353-0550 (BILL STORM)